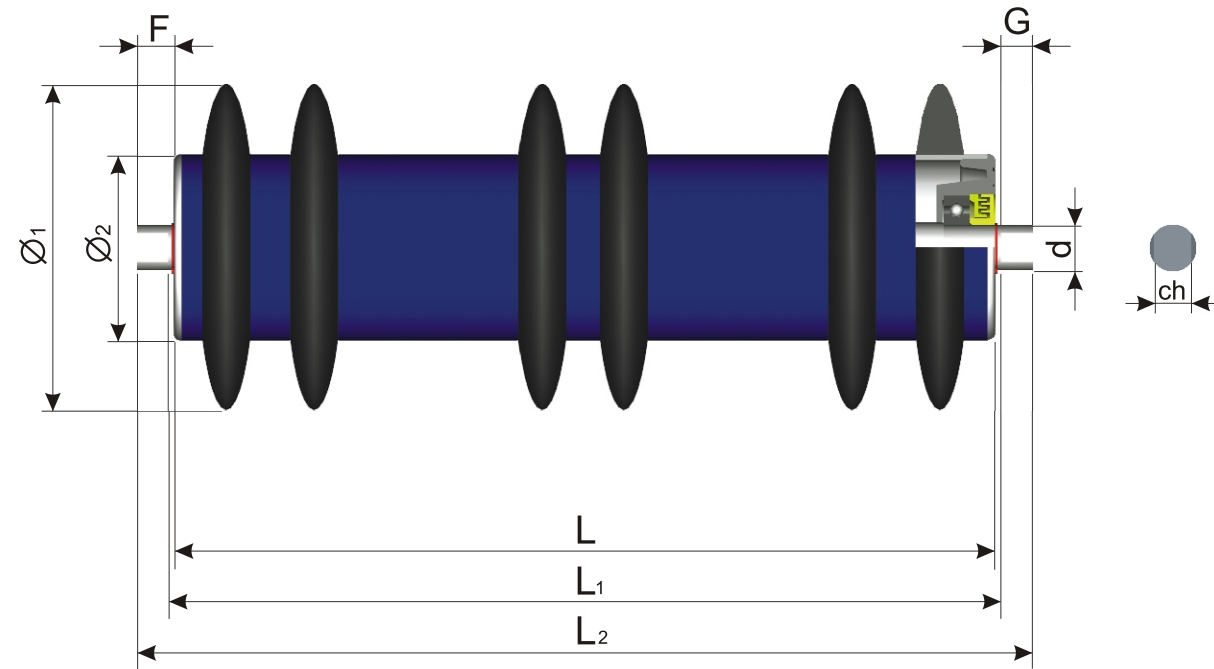
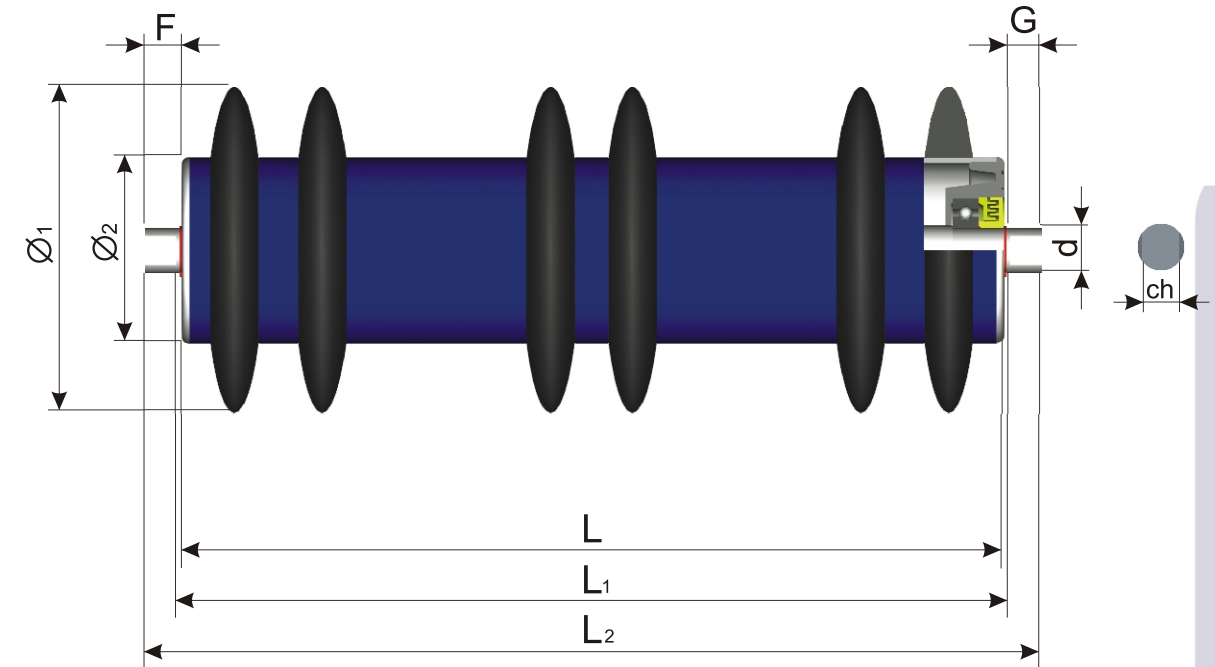


Return Disc Roller



Return Disc Roller



PSV/1 Ø108/Ø60mm D

PSV/1 Ø133/Ø60 D

PSV/1 Ø133/Ø89 D

PSV/1 Ø159/Ø89 D

roller type		d	bearing	ch	F	G
PSV/1		20	6204	14	13	9
Dimensions (mm)		Weight (kg)	Belt width (mm)		Number of rubber discs	
L	L ₁	L ₂	rotating parts	total	arrangements	
380	388	406	3.7	5.0	300	2+1+2
500	508	526	4.8	6.4	400	2+1+2
600	608	626	5.7	7.6	500	2+2+2
750	758	776	7.0	9.4	650	2+3+2
950	958	976	8.8	11.7	800	3+4+3
1150	1158	1176	10.5	14.1	1000	3+6+3
1400	1408	1426	12.7	17.0	1200	3+7+3
1600	1608	1626	14.5	19.4	1400	4+8+4

roller type		d	bearing	ch	F	G
PSV/1		20	6204	14	13	9
Dimensions (mm)		Weight (kg)	Belt width (mm)		Number of rubber discs	
L	L ₁	L ₂	rotating parts	total	arrangements	
600	608	626	7.4	9.3	500	2+2+2
750	758	776	9.1	11.5	650	2+3+2
950	958	976	11.4	14.4	800	3+4+3
1150	1158	1176	13.7	17.3	1000	3+6+3
1400	1408	1426	16.6	20.9	1200	3+7+3
1600	1608	1626	19.0	23.9	1400	4+8+4
1800	1808	1826	21.3	26.8	1600	4+9+4
2000	2008	2026	23.6	29.7	1800	4+10+4
2200	2208	2226	25.9	32.6	2000	4+11+4

roller type		d	bearing	ch	F	G
PSV/1		20	6204	14	13	9
Dimensions (mm)		Weight (kg)	Belt width (mm)		Number of rubber discs	
L	L ₁	L ₂	rotating parts	total	arrangements	
600	608	626	8.4	10.3	500	2+2+2
750	758	776	10.4	12.7	650	2+3+2
950	958	976	13.0	15.9	800	3+4+3
1150	1158	1176	15.5	19.1	1000	3+6+3
1400	1408	1426	18.8	23.1	1200	3+7+3
1600	1608	1626	21.3	26.2	1400	4+8+4
1800	1808	1826	23.9	29.4	1600	4+9+4
2000	2008	2026	26.5	32.6	1800	4+10+4
2200	2208	2226	29.1	35.8	2000	4+11+4

roller type		d	bearing	ch	F	G
PSV/1		20	6204	14	13	9
Dimensions (mm)		Weight (kg)	Belt width (mm)		Number of rubber discs	
L	L ₁	L ₂	rotating parts	total	arrangements	
600	608	626	10.7	12.6	500	2+2+2
750	758	776	13.2	15.5	650	2+3+2
950	958	976	16.5	19.4	800	3+4+3
1150	1158	1176	19.8	23.3	1000	3+6+3
1400	1408	1426	23.9	28.2	1200	3+7+3
1600	1608	1626	27.3	32.2	1400	4+8+4
1800	1808	1826	30.6	36.1	1600	4+9+4
2000	2008	2026	33.9	40.0	1800	4+10+4
2200	2208	2226	37.2	43.9	2000	4+11+4

