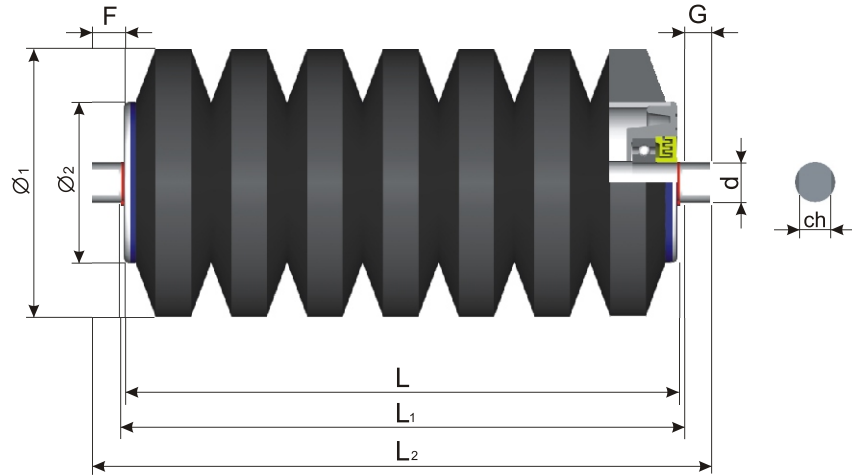


## Impact Roller



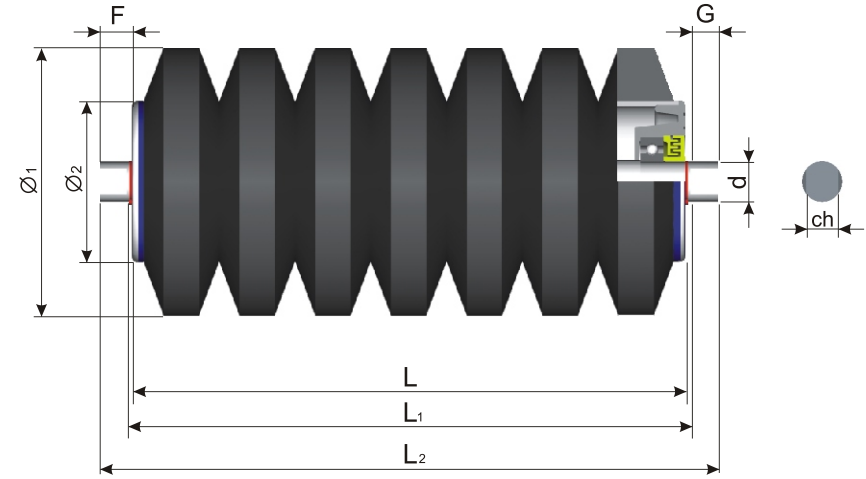
PSV/1 Ø89/Ø60 I

roller type		d	bearing	ch	F	G
PSV/1		20	6204	14	13	9
Dimensions (mm)		Weight (kg)		Belt width (mm)		
L	L <sub>1</sub>	L <sub>2</sub>	rotating parts	total	arrangements	
160	<b>168</b>	186	1.8	2.4	400	
200	<b>208</b>	226	2.1	2.8	300	500
250	<b>258</b>	276	2.6	3.4	400	650
315	<b>323</b>	341	3.1	4.2	500	800
380	<b>388</b>	406	3.7	4.9	300	650 1000
465	<b>473</b>	491	4.4	5.9	800	1200
500	<b>508</b>	526	4.8	6.4	400	
530	<b>538</b>	556	5.0	6.7		1400
600	<b>608</b>	626	5.6	7.5	500	1000
700	<b>708</b>	726	6.5	8.7		1200
750	<b>758</b>	776	6.9	9.3	650	
800	<b>808</b>	826	7.4	9.9		1400
950	<b>958</b>	976	8.7	11.6	800	
1150	<b>1158</b>	1176	10.4	14.0	1000	
1400	<b>1408</b>	1426	12.6	16.9	1200	
1600	<b>1608</b>	1626	14.3	19.2	1400	

PSV/1 Ø108/Ø60 I

roller type		d	bearing	ch	F	G
PSV/1		20	6204	14	13	9
Dimensions (mm)		Weight (kg)		Belt width (mm)		
L	L <sub>1</sub>	L <sub>2</sub>	rotating parts	total	arrangements	
160	<b>168</b>	186	2.3	2.9	400	
200	<b>208</b>	226	2.7	3.4	300	500
250	<b>258</b>	276	3.3	4.2	400	650
315	<b>323</b>	341	4.1	5.1	500	800
380	<b>388</b>	406	4.8	6.1	300	650 1000
465	<b>473</b>	491	5.8	7.3	800	1200
500	<b>508</b>	526	6.3	7.9	400	
530	<b>538</b>	556	6.6	8.3		1400
600	<b>608</b>	626	7.4	9.3	500	1000
700	<b>708</b>	726	8.6	10.8		1200
750	<b>758</b>	776	9.2	11.5	650	
800	<b>808</b>	826	9.8	12.3		1400
950	<b>958</b>	976	11.5	14.5	800	
1150	<b>1158</b>	1176	13.9	17.4	1000	
1400	<b>1408</b>	1426	16.8	21.1	1200	
1600	<b>1608</b>	1626	19.1	24.0	1400	

## Impact Roller



PSV/1 Ø133Ø89 I

roller type		d	bearing	ch	F	G
PSV/1		20	6204	14	13	9
Dimensions (mm)		Weight (kg)		Belt width (mm)		
L	L <sub>1</sub>	L <sub>2</sub>	rotating parts	total	arrangements	
160	<b>168</b>	186	3.3	3.9	400	
200	<b>208</b>	226	3.9	4.6	300	500
250	<b>258</b>	276	4.8	5.6	400	650
315	<b>323</b>	341	5.8	6.8	500	800
380	<b>388</b>	406	6.9	8.1	300	650 1000
465	<b>473</b>	491	8.2	9.7	800	1200
500	<b>508</b>	526	8.8	10.4	400	
530	<b>538</b>	556	9.3	11.0		1400
600	<b>608</b>	626	10.4	12.3	500	1000
700	<b>708</b>	726	12.0	14.2		1200
750	<b>758</b>	776	12.9	15.2	650	
800	<b>808</b>	826	13.7	16.2		1400
950	<b>958</b>	976	16.1	19.0	800	
1150	<b>1158</b>	1176	19.3	22.9	1000	
1400	<b>1408</b>	1426	23.4	27.7	1200	
1600	<b>1608</b>	1626	26.6	31.5	1400	

PSV/1 Ø159/Ø89 I

roller type		d	bearing	ch	F	G
PSV/1		20	6204	14	13	9
Dimensions (mm)		Weight (kg)		Belt width (mm)		
L	L <sub>1</sub>	L <sub>2</sub>	rotating parts	total	arrangements	
315	<b>323</b>	341	6.3	7.4	800	
380	<b>388</b>	406	7.5	8.7	1000	
465	<b>473</b>	491	9.0	10.5	800	1200
530	<b>538</b>	556	9.7	11.3	1400	
600	<b>608</b>	626	10.2	11.9	1000	1600
670	<b>678</b>	796	11.4	13.3	1800	
700	<b>708</b>	726	13.2	15.4	1200	
750	<b>758</b>	776	14.1	16.5	2000	
800	<b>808</b>	826	15.0	17.5	1400	
900	<b>908</b>	926	16.8	19.6	1600	
950	<b>958</b>	976	17.7	20.7	800	
1000	<b>1008</b>	1026	18.6	21.7	1800	
1100	<b>1108</b>	1126	20.4	23.8	2000	
1150	<b>1158</b>	1176	21.3	24.8	1000	
1400	<b>1408</b>	1426	25.8	30.1	1200	
1600	<b>1608</b>	1626	29.3	34.2	1400	
1800	<b>1808</b>	1826	32.9	38.4	1600	
2000	<b>2008</b>	2026	36.5	42.6	1800	